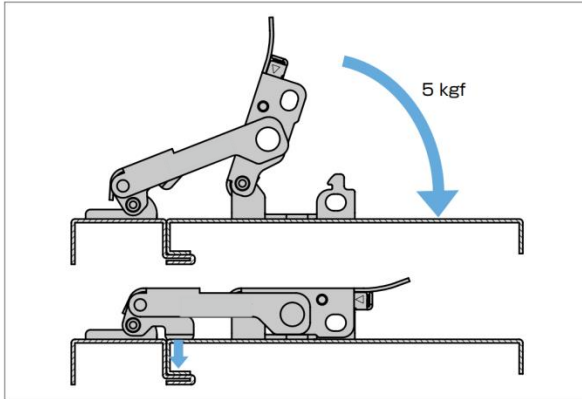


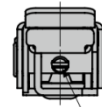
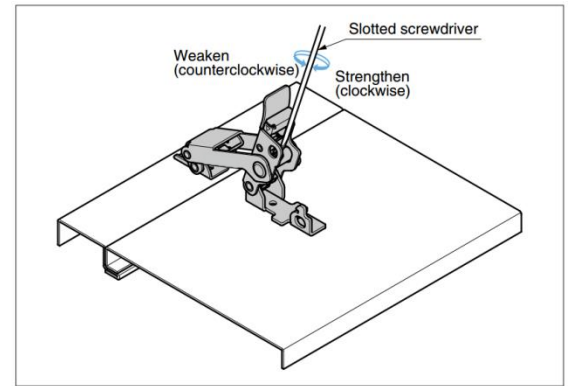
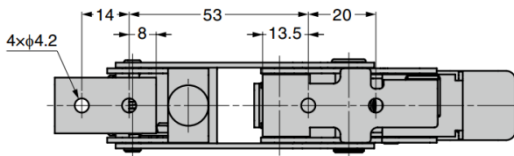
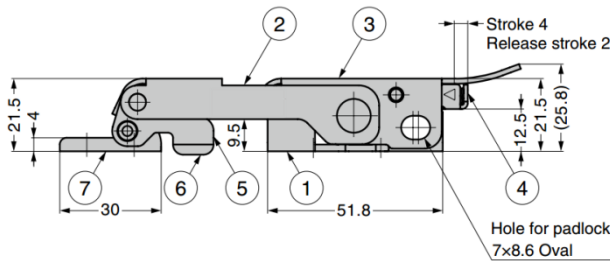
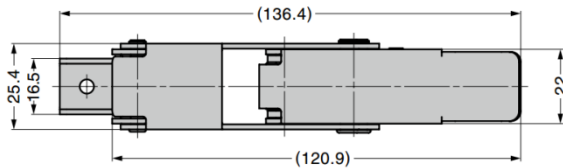
## GSTF-CP140 Adjustable Stainless Steel Compression Latch

### Features

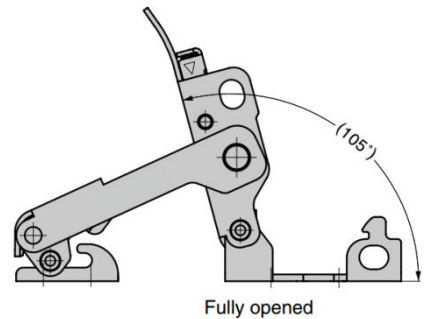
- Compression arm with rubber allows to fasten the door tightly
- Compressing force is adjustable
- With safety lock to prevent accidental release
- Push safety button to release the lock
- Can be used with padlock



Compressing force works in the direction (↓ in the figure) vertical to the mounting surface .



Adjustment slit  
Compressing force adjustable by adjusting the ※ marked value ±2mm



No.	Part Name	Material	Finish / Colour
①	Base	Stainless Steel (SUS304)	Barrel Polished
②	Arm		
③	Lever		
④	Safety Button		
⑤	Compression Arm		
⑥	Rubber	EPDM	Black
⑦	Counter Plate	Stainless Steel (SUS304)	Barrel Polished

Part No.	Compression Force		Load Capacity	
GSTF-CP140	245 N	25 kg	600 N	61 kg